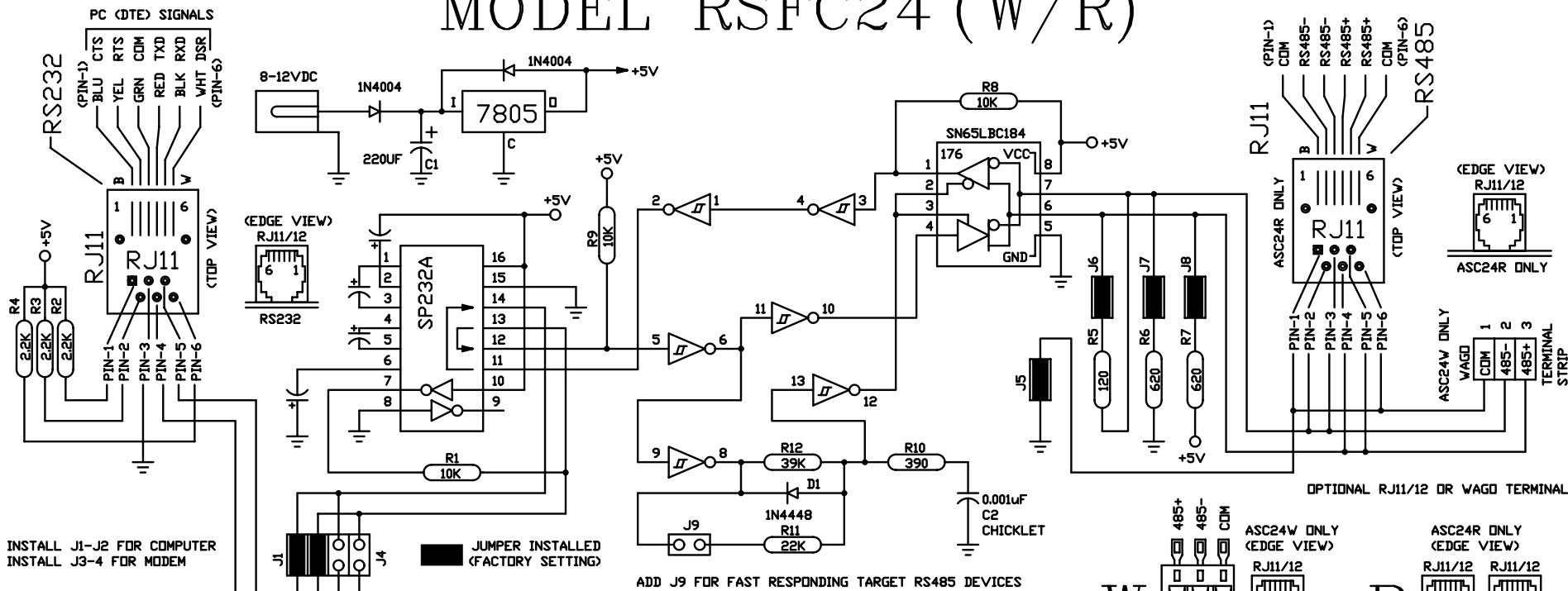


MODEL RSFC24 (W/R)



GENERAL INFO.
FAST AUTOMATIC AUTO TX-ENABLE
RS232 TO RS485 CONVERTER FOR
2-WIRE APPLICATIONS AT BAUD
RATES UP TO 115.2K. ONBOARD
BIAS AND TERMINATION JUMPERS,
WITH ONE-HALF UNIT LOAD TI
SN75LBC184P DRIVER IC WITH
SUPERIOR TRANSIENT PROTECTION.

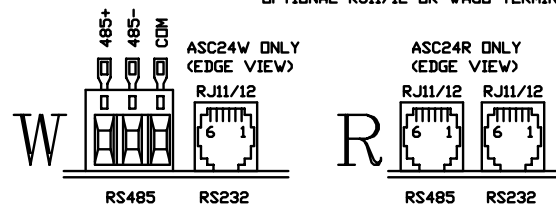
R. E. SMITH
4311 TYLERSVILLE ROAD
HAMILTON, OHIO 45011
(513) 874-4796

www.rs485.com

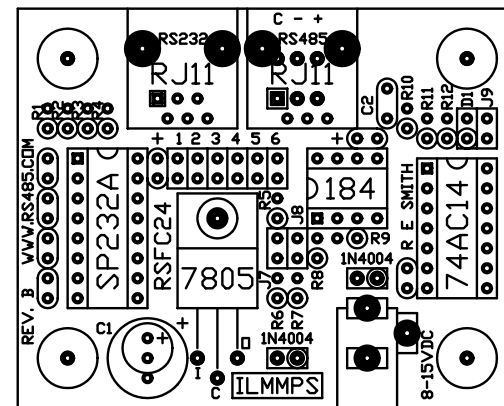
OPTIONAL ENCLOSURE,
CABLE (DB9F OR DB25F),
AND POWER SUPPLY
ARE AVAILABLE.

SPECIFICATIONS

- 1) SIZE: 2.50" X 2.00" X 0.9" (PC BOARD)
WITH CONNECTORS: 2.50" X 2.25"
- 2) MOUNTING HOLES: 4-PLACES
2.00" X 1.50" (#6 HARDWARE)
- 3) TI SN75LBC184P RS485 DRIVER IC
BUILT-IN TRANSIENT PROTECTION
- 4) TEMPERATURE RANGE: 0C TO 65C
- 5) HUMIDITY: 10-90% RH NON-CONDENSING
- 6) BAUD: 300-115.2K (LIMITED SLEW)
- 7) OPERATING VOLTAGE: 8-15VDC
- 8) TYPICAL POWER: UNDER 0.5W
- 9) HALF-DUPLEX 2-WIRE RS485



ACTUAL SIZE (1:1)



This drawing is the property of R. E. SMITH and shall not be used except with the written permission of R. E. SMITH, no copies shall be made of it and all proprietary rights in the matter contained in this drawing are the property of R. E. SMITH. COPYRIGHT - R. E. SMITH, 2002		DRAWN BY RES	SUBJECT RS232/RS485	
SHEET 1 OF 1		DATE 01-01-03	FOR AUTOMATIC CONV.	
RSFC24		SCALE NONE	RES R. E. SMITH 4311 TYLERSVILLE RD. HAMILTON, OHIO 45011	
RSFC24		CHKD. BY RES	DWG. NO. RSFC24	REV. B