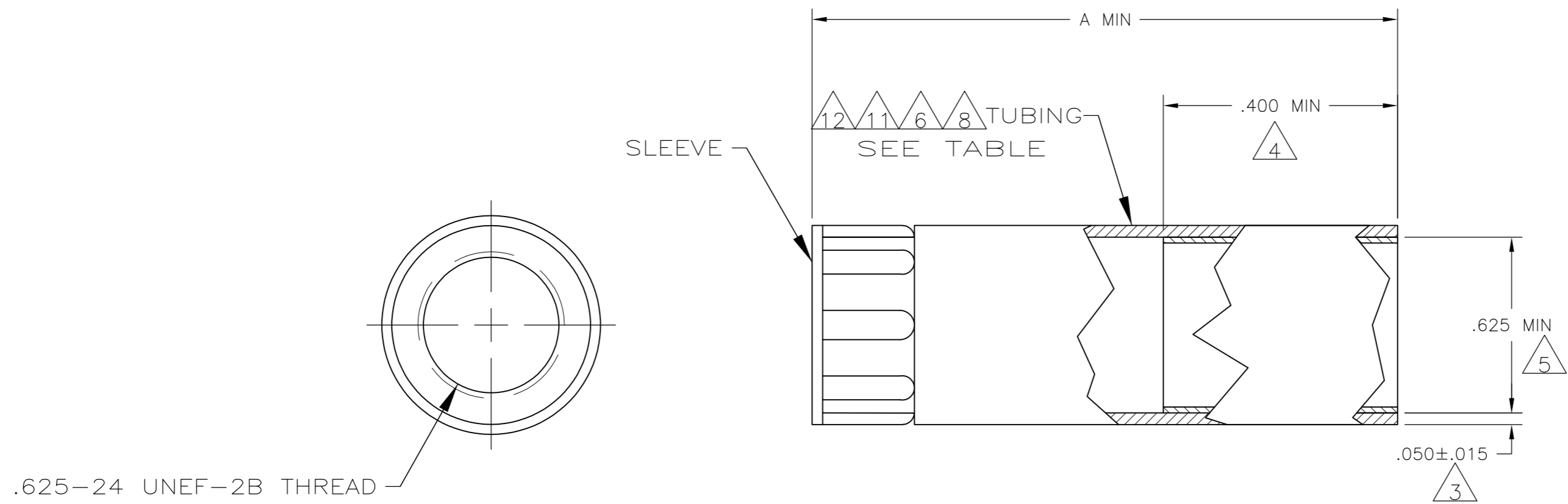


THIS DRAWING IS UNPUBLISHED. RELEASED FOR PUBLICATION
 © COPYRIGHT BY TYCO ELECTRONICS CORPORATION. ALL INTERNATIONAL RIGHTS RESERVED.

LOC	DIST	REVISIONS			
P	LTR	DESCRIPTION	DATE	DWN	APVD
FT	0	AC	REVISED PER ECO-08-028385	25NOV08	HMR BC



- 1 POLYOLEFIN, BLACK.
- 2 NYLON, BLACK.
- 3 NOMINAL WALL THICKNESS, EXPANDED.
- 4 LENGTH OF SEALANT.
- 5 EXPANDED INSIDE DIAMETER.
- 6 6.35[.250] MAXIMUM RECOVERED INSIDE DIAMETER.
- 7 ASSEMBLY WILL PASS 0.0703 KG PER SQ CENTIMETER [ONE POUND PER SQ IN.] WATER PRESSURE TEST.
- 8 121°C [250°F] SHRINK TEMPERATURE.
- 9 -55°C TO 110°C [-67°F TO 230°F] OPERATING TEMPERATURE.
- 10 THIS PART WILL ACCOMODATE $\phi 6.35 - \phi 15.24$ [$\phi .250 - \phi .600$] CABLE RANGE.
- 11 4.06 [.160] MAXIMUM RECOVERED INSIDE DIAMETER.
- 12 ACTUAL SHAPE MAY VARY DUE TO PROCESS VARIANCE.

11	8	2.25	54010-4
6	8	1.25	54010-2
6	8	2.25	54010-1
RECOVERED INSIDE DIA		A	PART NUMBER

THIS DRAWING IS A CONTROLLED DOCUMENT.		DWN C.REIFSNYDER 09 APR 96	Tyco Electronics Corporation Harrisburg, PA 17105-3608	
DIMENSIONS: INCHES		CHK R.STONE 15 APR 95	NAME STRAN RELIEF ASSY, SHELL SIZE 11, CPC	
TOLERANCES UNLESS OTHERWISE SPECIFIED:		APVD T.A.WETZEL 03 MAY 96	RESTRICTED TO	
0 PLC ± -		PRODUCT SPEC	SIZE CAGE CODE DRAWING NO	
1 PLC ± -		APPLICATION SPEC	A2 00779 C=54010	
2 PLC ± -		WEIGHT	SCALE SHEET	
3 PLC ± -		FINISH	2:1 1 of 1	
4 PLC ± -		CUSTOMER DRAWING	REV AC	
ANGLES ± -				