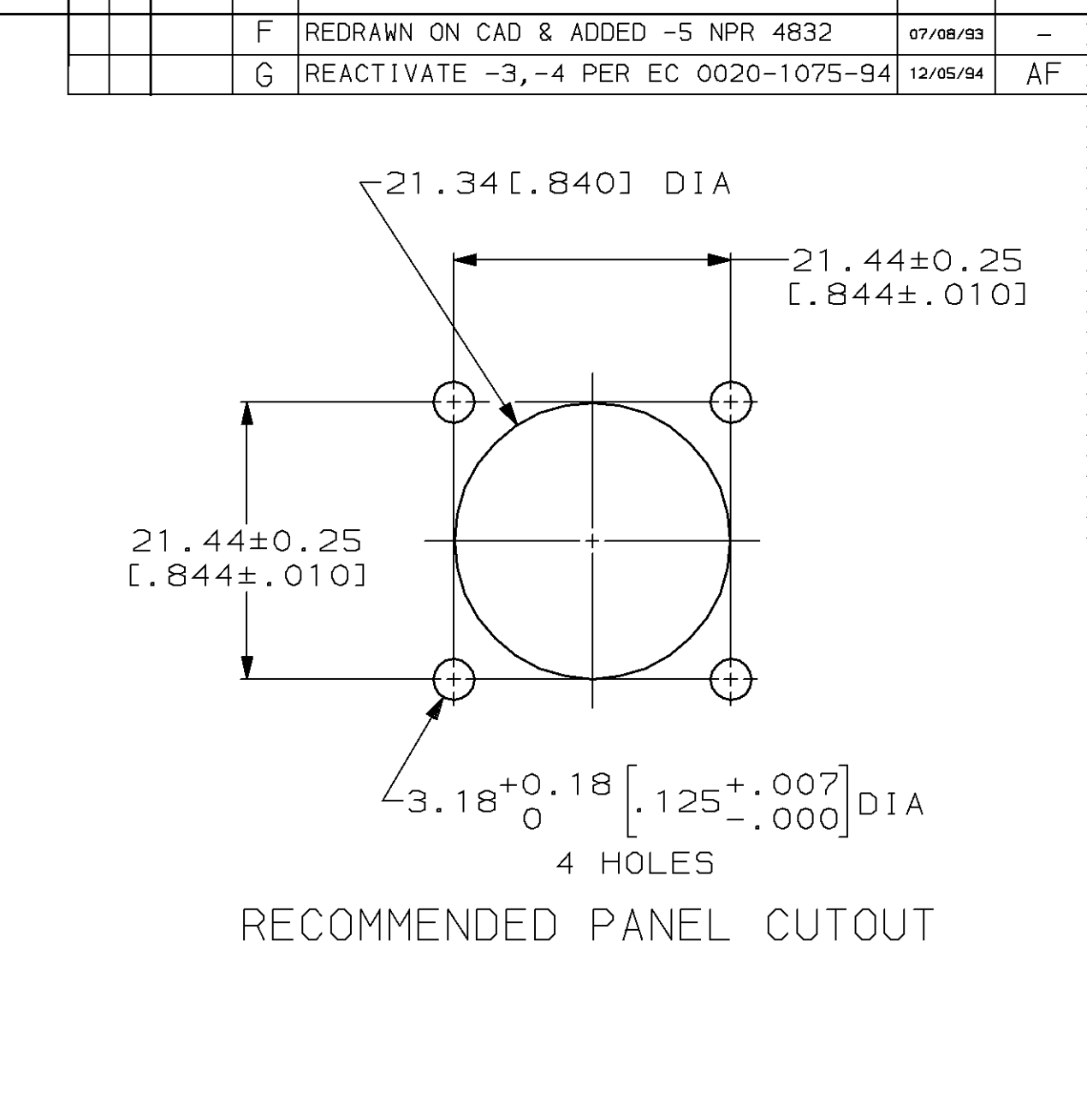
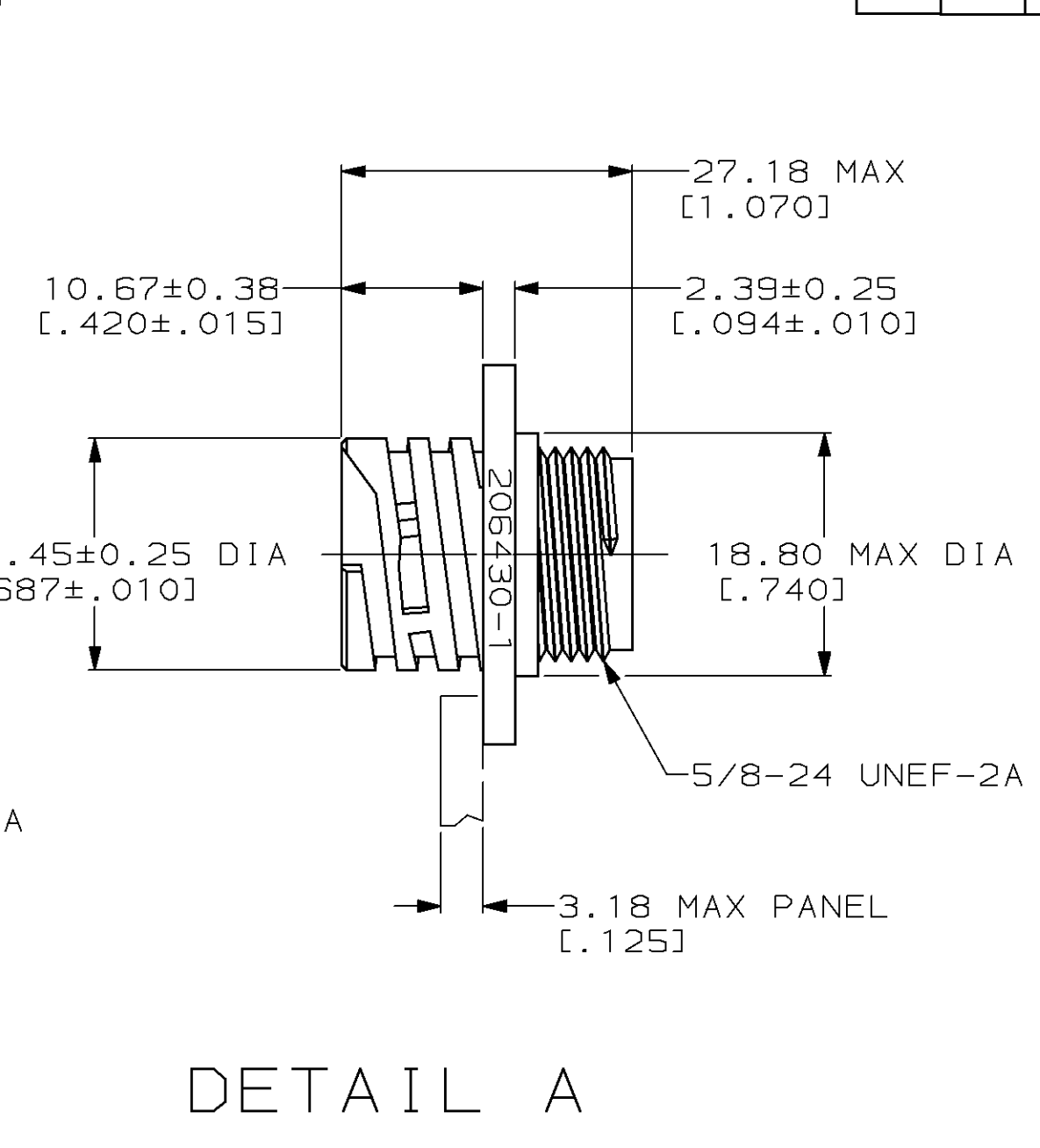
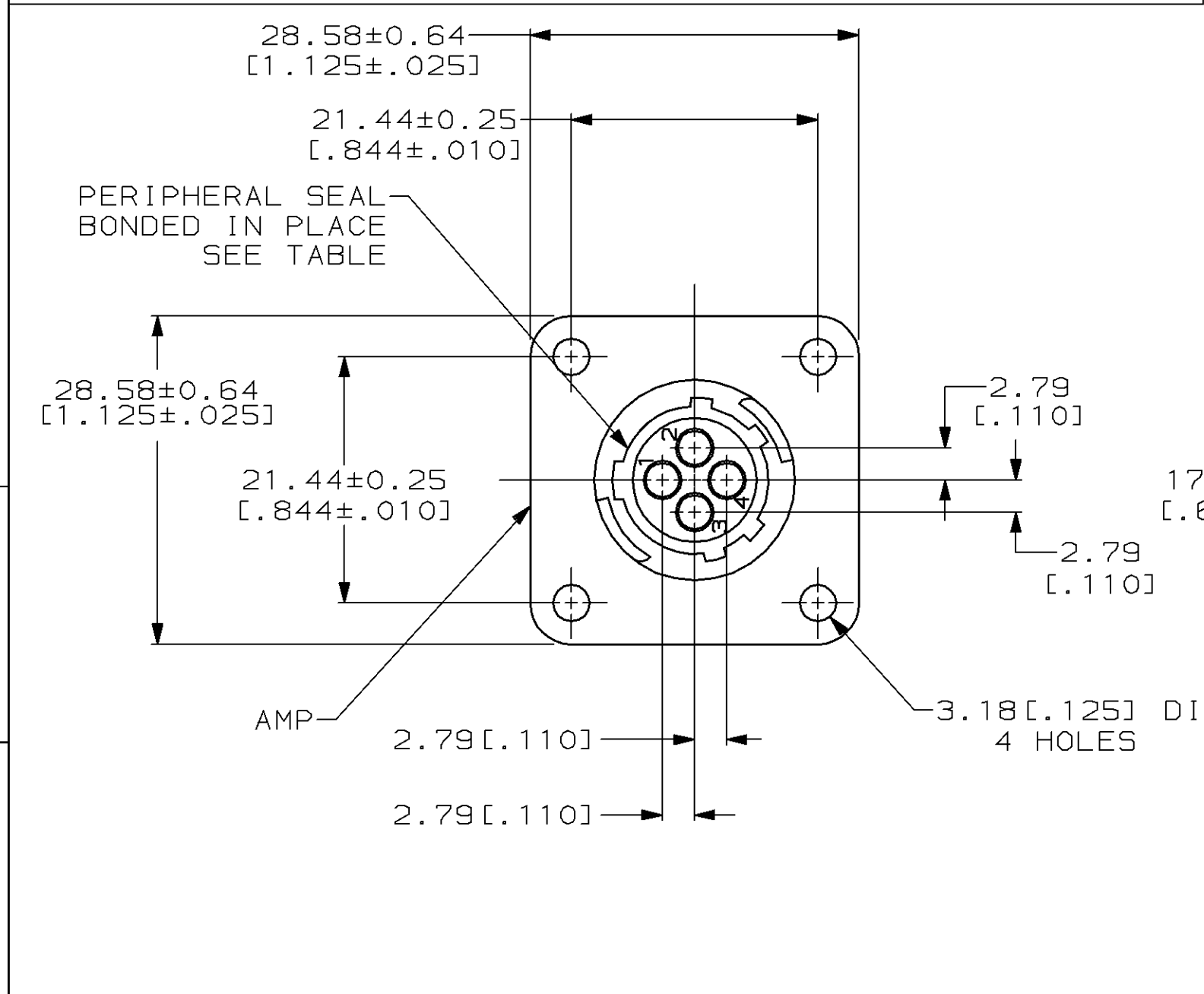
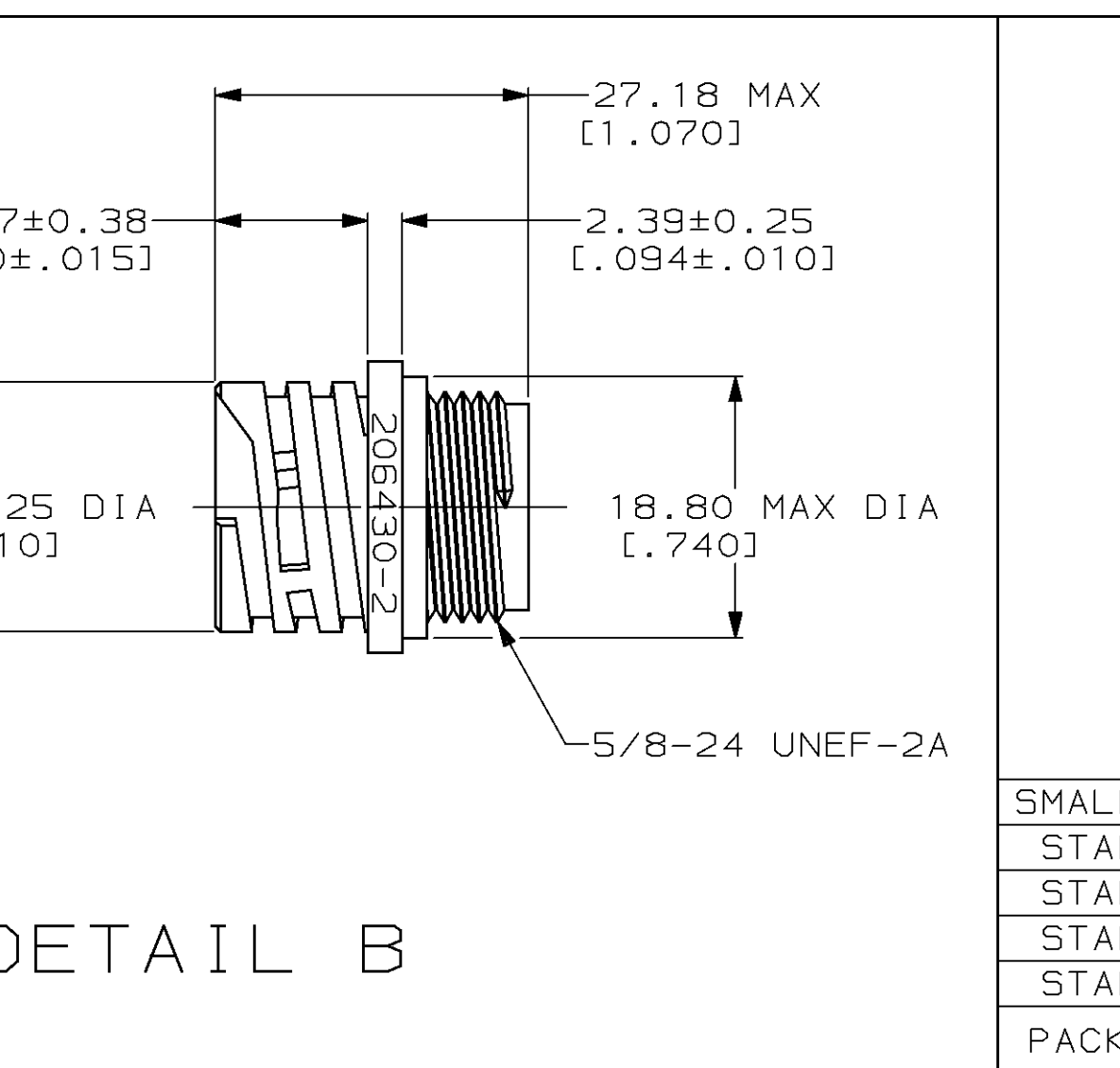
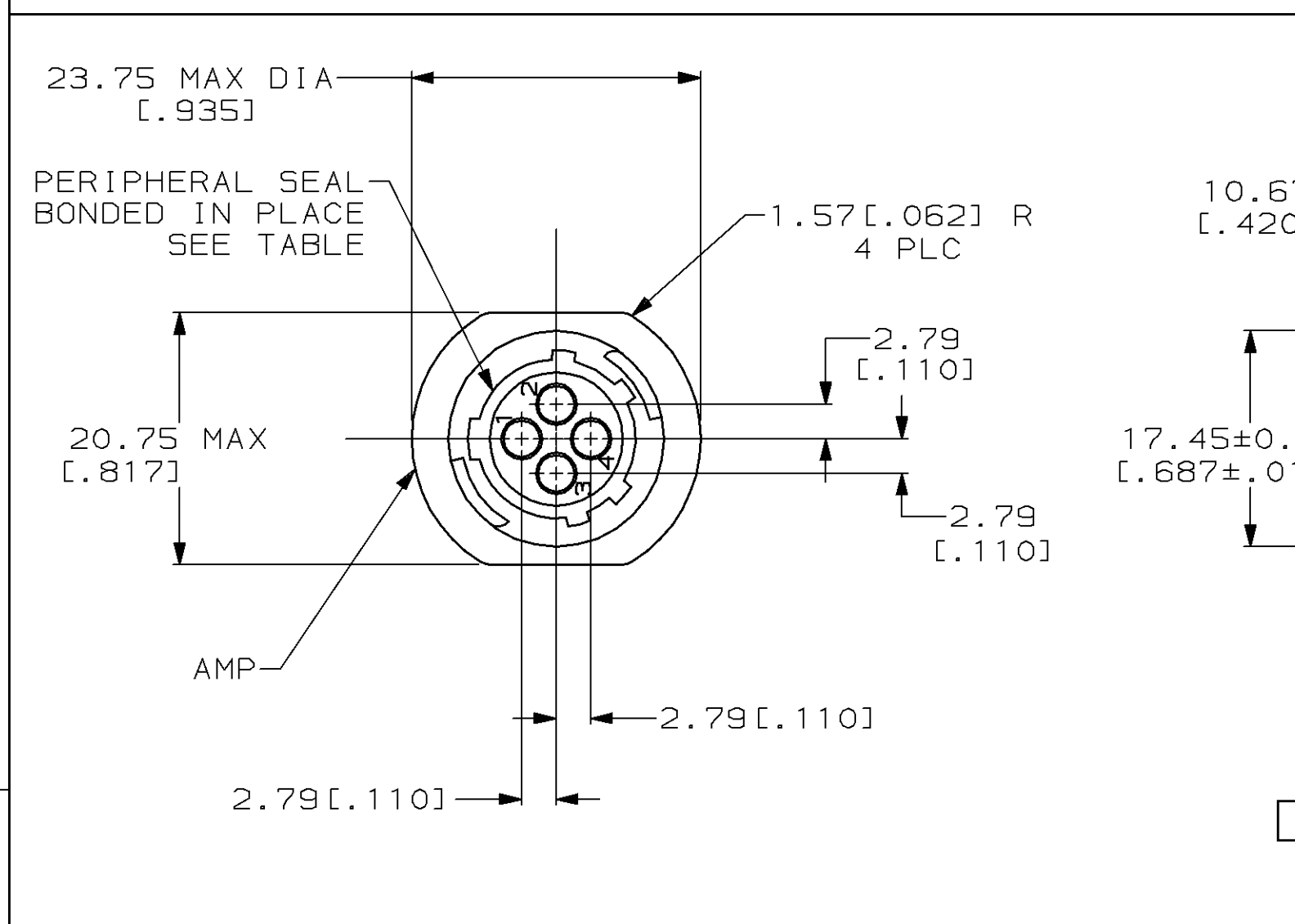


MOD	LOC	DIST	P	F	ZONE	LTR	DESCRIPTION	DATE	APPD
4	BD	35				F	REDRAWN ON CAD & ADDED -5 NPR 4832	07/08/93	-
						G	REACTIVATE -3,-4 PER EC 0020-1075-94	12/05/94	AF



DETAIL A



DETAIL B

SMALL PACK	NO	A	206430-5
STANDARD	YES	B	206430-4
STANDARD	YES	A	206430-3
STANDARD	NO	B	206430-2
STANDARD	NO	A	206430-1
PACKAGING	PERIPHERAL SEAL	SEE DETAIL	PART NO

1. CAVITY IDENTIFICATION ON FRONT AND REAR FACE.
 2. WILL ACCEPT FOUR (4) MULTIMATE SOCKET CONTACTS.

DO NOT SCALE PRINT. UNLESS SPECIFIED DIMENSIONS IN mm [INCHES] TOLERANCES ON:
 2 PLC DEC ± 0.13 [.005]
 3 PLC DEC ± -
 ANGLES ± -
 MATERIAL
 NYLON, BLACK
 FINISH
 -

DR 09/09/92 W.LENKER	AMP Incorporated Harrisburg, PA 17105-3608		
CHK 08/11/93 R.STONE			
APPD 08/13/93 A.FRANTUM	NAME		
APPD 08/13/93 A.FRANTUM	RECEPTACLE HOUSING, REVERSE SEX, SHELL SIZE 11, CPC		
PRODUCT SPEC 108-10024	SIZE C	CAGE CODE 00779	DRAWING NO C=206430
APPLICATION SPEC -	SCALE 2:1	SHEET 1 OF 1	
WEIGHT -			

THIS DRAWING IS A CONTROLLED DOCUMENT FOR AMP INCORPORATED. IT IS SUBJECT TO CHANGE AND THE CONTROLLING ENGINEERING ORGANIZATION SHOULD BE CONTACTED FOR THE LATEST REVISION.